

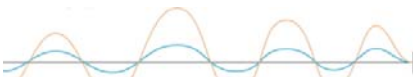
Flow2one *PLUS+*

Single Room Fresh Air Exchanger



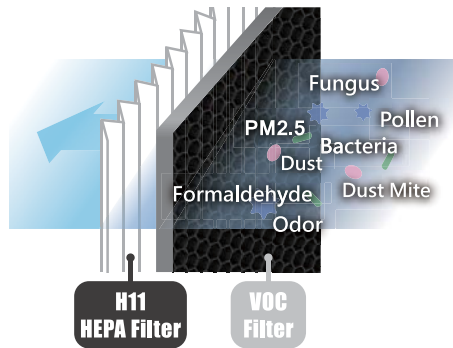
Everyone inhales and exhales
20,000 times
Every Day

26_{dB}
Sleep Mode



10_w
Minimum
Energy Consumption

0.24_{kWh}
24hr Operations



Double Filtering, Super Purification

H11 High Efficient Filter
Purifies 99.9% of PM2.5.

VOC Active Carbon
Filters odor, formaldehyde,
methane, etc.

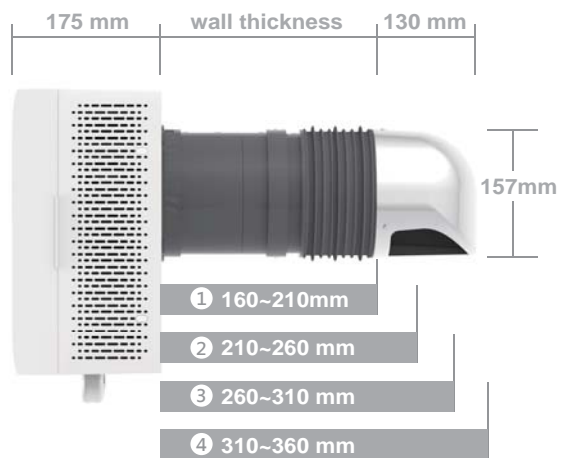
- **200 m³/h strong fresh air**
Bring fresh oxygen air in.
- **70 m³/h exhaust design**
Exhaust PM2.5, VOC, CO₂ ect. polluted air out.
- **Slight positive pressure indoors**
Push out dirty air through the cracks in the window and blocks outdoor pollutants into the room simultaneously.
- **70% heat exchange**
Warm in winter! Cool in summer!
- **Dual vortex fan design**
Allowing rapid air flow and ventilation.
- **Exclusive aromatic scent**
Relaxation and comfort anytime, anywhere!
- **Unique hanger design**
Make your home with warmth and vigor.

Easy Installation, Double Protection

Only a circular hole 160mm in diameter is needed for installation. The external cover is made of SUS304 stainless steel that resists acid rain corrosion and does not easily deteriorate from sunlight exposure. A rainwater diversion design with double-layered water and wind protection.

This product shall installed near the wall of the balcony or window in case of further construction and maintenance. Other special wall surfaces or outdoor environments require professional personnel to evaluate if any reinforcement is needed.





※ 4 types of wall thickness are applicable (the measurement shall include the thickness of wall and tile)

Model	AHR15N24	
Rated Voltage	100-240 V , 50-60 Hz	
Speed	(m/sec)	4.7
Effective Distance	(m)	6.0
PM2.5 Filter	(%)	99.9
Heat Recovery	(%)	70

Mode	Sleep	Fresh	Purify	
Air Flow (Intake)	(m ³ /h)	85	140	200
Air Flow (Exhaust)	(m ³ /h)	40	70	70
Power Consumption	(W)	10	30	46
Noise	(dB(A))	26	39	44
Available Room Area	(ft ²)	890		

※ Specifications in this catalog are preliminary specification for reference. Specifications are subject to change without notice.

※ More TUMÄ products information, please contact TUMÄ sales.

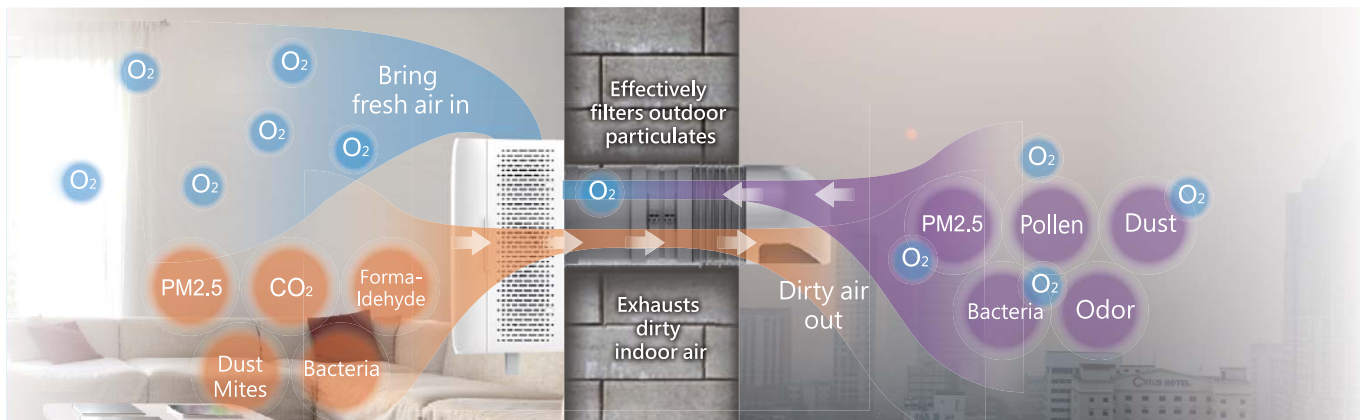
※ The above data is tested with the new filter. The environment and filter usage time will affect the test results.



Purification And Fresh Air

Nonstop air exchange operation.

It filters fresh outdoor air while removing dirty indoor air, thereby increasing indoor oxygen; providing your home with healthy clean air around the clock.



	Flow2one <i>Plus+</i>	Air Purifier	Air Conditioner
Filters PM2.5	Excellent	Excellent	Low
Filters Formaldehyde	Excellent	Excellent	Low
Reduces CO2	Excellent	None	Low
Air Exchange	Excellent	None	Low