



---

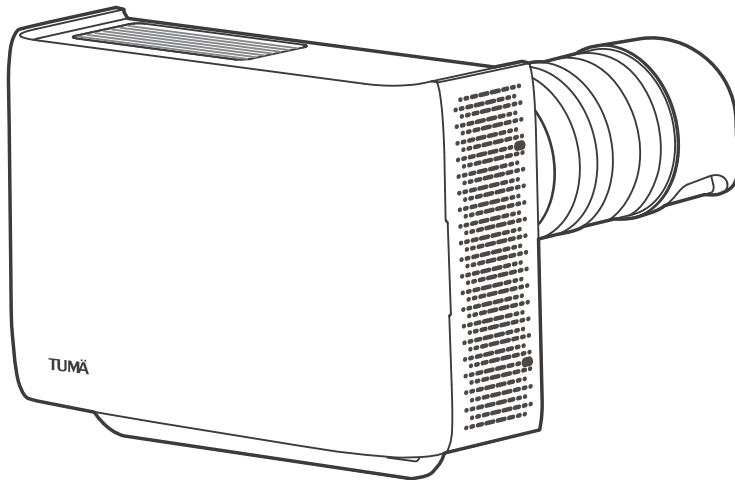
# Flow2one *PLUS+*

Single Room Fresh Air Exchanger

---

## Operating and Assembly Manual

AHR15E24 / AHR15N24



## Thank you for purchasing our product!

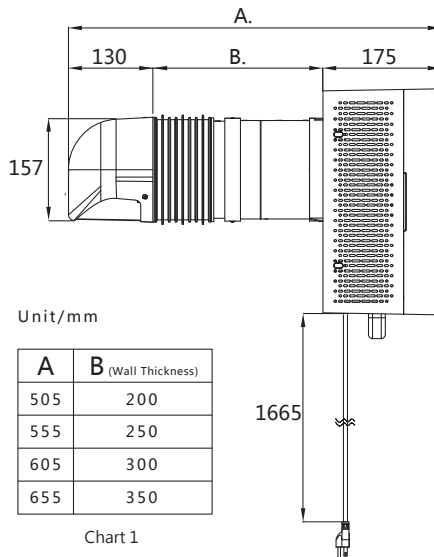
Please read this manual carefully before use, use the product accordingly and keep the manual in a safe place.

In order to protect your right and interests, please make sure that the dealer records the purchase date, dealer's name, etc. on the guarantee.

## Operating Environment

This product is applicable to different wall thickness as figure 1 below. The measurement of the wall thickness shall include the thickness of decorative walls, such as interior decoration, exterior stone design, and tile, etc.











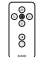





In case of further installation and maintenance, we recommend that this product shall installed near the wall of the balcony or window. Also, reserve enough space for the machine body and electricity. Other special walls or outdoor environments need professionals to evaluate if the reinforcement work is required, such as waterproofing.



## □ CAUTION

- ⊗ Short Circuit or Electric Shock Hazard:
  - Do not mount in places with excessive moisture.
  - Do not install the product near the shower room or above the bath tub in the bathroom or near places where it gets wet or immersed in water easily.
  - Do not spray water directly on this device.
  - Do not turn on the switch with wet hands.
- ⊗ Possible damage:
  - Do not mount over heating sources such as cooking equipment , or in places with temperatures over 40°C.
  - Do not mount on windows, thin plates or in places with insufficient support strength.
- ⊗ Possible damage or fire :
  - Do not use power sources outside the rated voltage.
  - Do not use alternative mounting methods other than what is instructed in this manual.
- ⊗ Do not use alternative mounting methods other than what is instructed in this manual.
- ⚠ Risk of Electric Shock Due to Inadequate Wiring :
  - Any alteration to the internal wiring in this device is not allowed. In case of failure, please contact the service station.
- ⚠ To Prevent Accidents :
  - The bottom of the unit must be installed 1.5 meters or more above the ground.
  - No water pipes are allowed to pass through above the product and 2 meters around it.
  - In case of gas leakage, Do Not turn on this device.
  - This device shall not be operated or maintained by children or inexperienced individuals.
- ⚠ To avoid leakage of dangerous gases, please do not install the unit in the area with odor or dangerous gases.
- ⚠ To avoid the poisoning of carbon oxide, please do not use the unit in the area with Gas or Oil heater.
- ⚠ When the unit has abnormal behaviors, like noise, vibration, burning smell, please turn off the unit and contact local distributors.
- ⚠ (for EU region) This appliance can be used by children aged from 8 years and above and persons with reduced physical, sensory or mental capabilities or lack of experience and knowledge if they have been given supervision or instruction concerning use of the appliance in a safe way and understand the hazards involved.
- ⚠ (for EU region) Children shall not play with the appliance.
- ⚠ (for EU region) Cleaning and user maintenance shall not be made by children without supervision.
- ⚠ (for other than EU region) The appliance is not to be used by persons (including children) with reduced physical, sensory or mental capabilities, or lack of experience and knowledge, unless they have been given supervision or instruction.
- ⚠ (for other than EU region) Children being supervised not to play with the appliance.
- ⚠ Duct Installation needs to away from the lights at least 30 cm or above. To prevent the insect getting into your house through the duct.

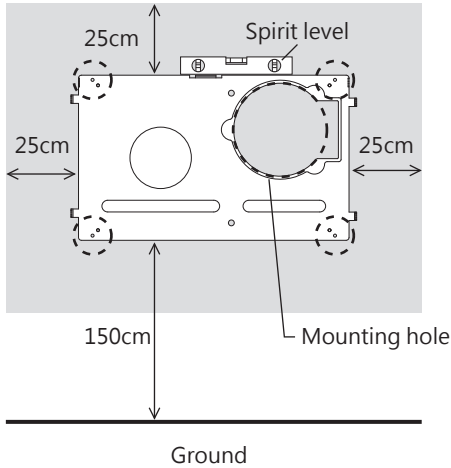
Indoor Box

Unit Kits		Unit	1 pcs
		Wall bracket	1 pcs
		Instruction manual	1 pcs
		Unit wire ( 1800mm )	1 pcs
		White plastic anchor ( Ø7.5×25mm )	4 pcs
		Long screw ( Ø4×25mm )	4 pcs
		Short screw ( Ø4×8mm )	4 pcs
		White rubber plugs	4 pcs
Filter		Disposable PM2.5 filter	1 pcs
		Active charcoal	1 pcs
		Remote control	1 pcs
Hanging Kits		Hanging rod	1 pcs
		Mounting frame	2 pcs
		Screw ( Ø4×8mm )	4 pcs
		Screw ( Ø3×5mm )	4 pcs
		Gray rubber plugs	4 pcs

Outdoor Box

	2-way duct	1 pcs
---	------------	-------

## □ INSTALLATIONS



**1**

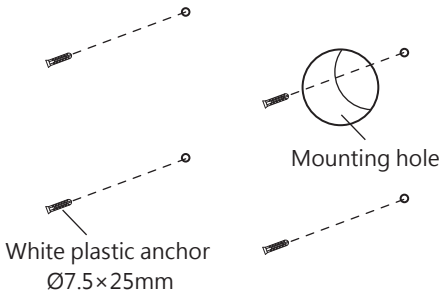
- 1-1 Remove the wall bracket inside the unit kits.
- 1-2 Use a leveling rod, to mark 1 installation hole and 4 holes for screws on the wall, according to the illustrations of installation requirements.
- 1-3 Install the unit around a wall socket or use an extension cord, if necessary.

### Attention

- a. The installation hole shall not be drilled on any wall that may be hazardous to building structure, including any beam, pillar, load-bearing wall, etc. Keep away from the electrical wires embedded in the walls.
- b. No obstacles should be within the surrounding area 25cm away from the appliance unit. The appliance unit shall be at a height more than 150 cm above the floor level.
- c. We recommend that this appliance installation shall near the wall of the balcony or window in case of further installation and maintenance.

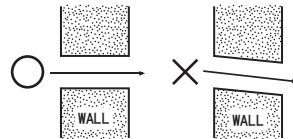
**2**

- 2-1 Pick the wall bracket and aim at the mounting hole.
- 2-2 Use a wall drilling tool to drill a hole of  $\text{Ø}160\text{mm}$  on the wall where the installation hole is marked. At the marked points for the screw holes, drill the reaming holes of 6mm in diameter, over 30mm in depth.
- 2-3 Insert a plastic screw anchor into each screw hole.

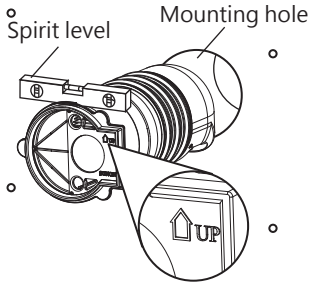


### Attention

- a. The direction of drilling shall be vertical to the wall.

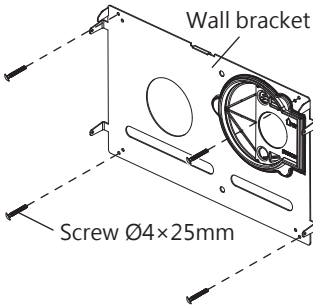


- b. If the drilling position is around area, please consult the professional technician to see if any other reinforcement work is required, such as waterproofing.



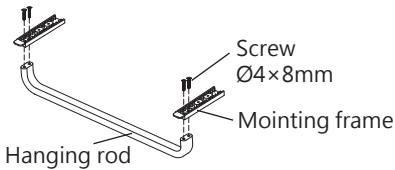
**3**

- 3-1 Place the 2-way duct into the installation hole.
- 3-2 Make sure that the "UP" pattern on the duct's wall bracket is facing up.
- 3-3 After using a leveling rod to make sure that the 2-way duct is in a horizontal situation, push the 2-way duct into the very end of the hole.



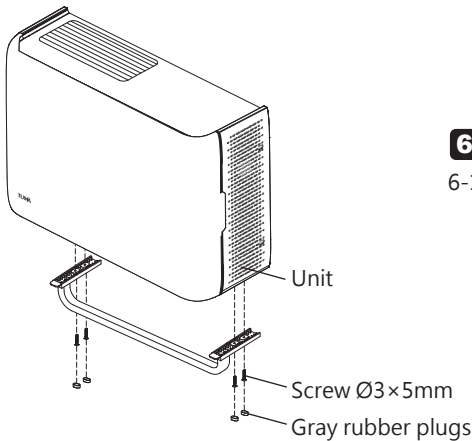
**4**

- 4-1 Take out the unit wall bracket of the appliance unit, align it with the screw holes that have been drilled following Step 2, and then fasten the unit with screws.



**5**

- 5-1 Take out the hanging rod, and then lock two mounting frames onto the hanging rod.

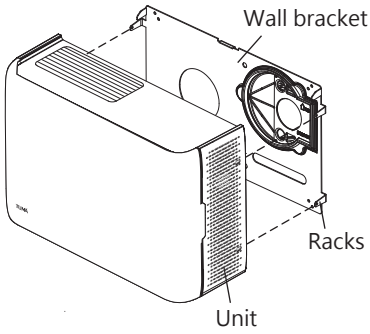


**6**

- 6-1 Lock the hanging rod, which has been set up pursuant to Step 5, onto the appliance unit.

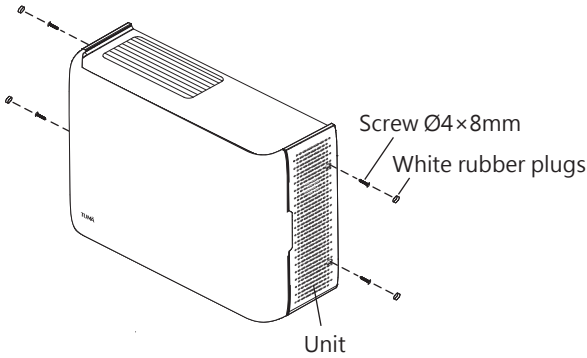
**Attention**

The average bearable weight to the hanging rod is 10 Kg.



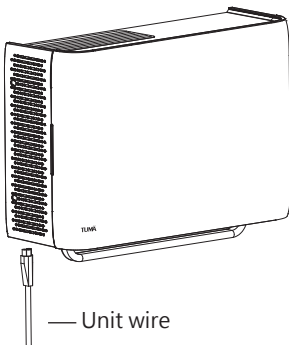
**7**

- 7-1 Take out the appliance unit, and then insert it into the wall bracket racks on the wall.
- 7-2 Use screws to lock the appliance unit onto the wall bracket racks. Then, insert the white rubber plugs into the screw holes.



**8**

- 8-1 Connect the unit wire.



## □ PANEL DISPLAY

CO2 8360

Monitor the amount of indoor carbon dioxide.

PM 2.5 ●

When the GREEN light is on, the indoor amount of PM2.5 is normal.

PM 2.5 ●

When the ORANGE light is on, the indoor concentration of PM2.5 exceeds the normal level.



When this light is on, you need to change the filter (If your daily use is around 5-6 hours, the filter can last for 1 year).



When this light is on, the unit is in "Purify" mode at high speed operation.



When this light is on, the unit is in "Fresh" mode at medium speed operation.



When this light is on, the unit is in "Sleep" mode at low speed operation.



When this light is on, the unit is in "Smart" mode, adjusting the airflow with automatic detection.

CO2 8288

When the screen is flashing with the symbol of ⌚, it is set to turn off the appliance in 2 hours as shown on the timer.


CO2 8488

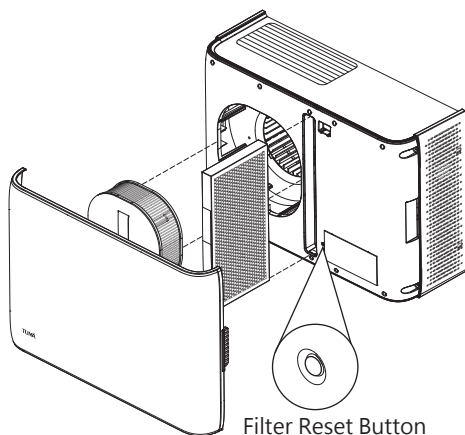
When this screen is flashing with the symbol of ⌚, it is set to turn off the appliance in 4 hours as shown on the timer.

CO2 8088

When this screen is flashing with the symbol of ⌚, it is set to be "OFF" as shown on the timer.

## □ FILTER REPLACEMENT

When the light  on the panel is on, it signals that the filter needs to be replaced. After removing the panel and replacing the filter, press the "Filter Reset Button" to reset and then restore the panel, it means the reset process is completed, then restore the panel cover back to unit. Once the setting has been completed, the light on the panel will turn off.





## □ REMOTE CONTROL AND UNIT SETTING

Figure A

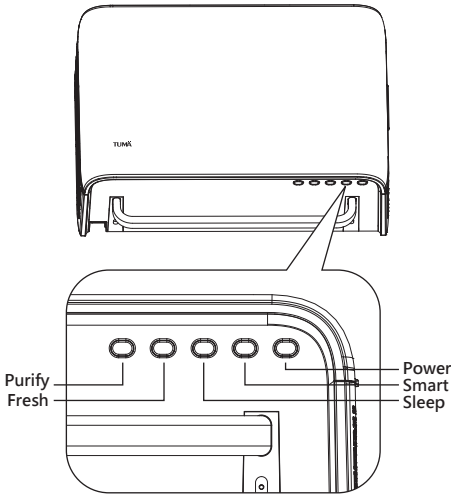


Figure B

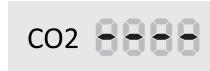


Figure C



### <Attention>

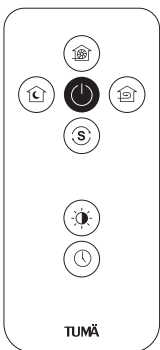
Do not turn the product on before the pairing setup.

**Complete the remote pairing between remote control and the product itself as soon as the remote control is activated initially.** Make sure that the product is connected to the indoor power supply, while the batteries are properly installed in the remote control.

1. Press and hold the SMART button at the bottom of the appliance unit (as shown in Fig. A, the second button from the right) until the panel screen is flashing as shown in Fig. B, and then release the key (If you do not take the next step within 15 seconds, the remote pairing will fail and end. Please start over.)

2. Press and hold the POWER key on the remote control, and then the panel screen will be displayed as Fig. C. This means the remote pairing setup is completed. You can now start to use the functions through this remote control.

## □ INTRODUCTION OF REMOTE CONTROL FUNCTIONS



**Power**  
Turn on or off the power.



**Purify**  
Purify the air at high speed.



**Fresh**  
Input fresh air at medium speed.



**Sleep**  
Low speed with quiet operation, for you to sleep tight.



**Smart**  
Automatically detect the indoor air quality and adjust the input/output volume of fresh air.



**Screen Light**  
Press this key to turn off the flashing pattern on the panel (the appliance is still running); press it again to turn on the flashing pattern on the panel.



**Program Timer**  
Press this key to select any of the following options:  
**Press once-**  
The unit is set to turn off in 2 hours.  
**Press twice-**  
The unit is set to turn off in 4 hours.  
**Press for three times-**  
Turn off the timer.

※ A button cell CR2025 is a prerequisite. Any used cell should be recycled.  
※ Be sure to remove the cell, if the appliance is not in use for a longer period of time.

## □ MAINTENANCE AND CLEANING

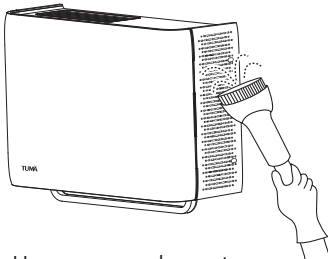
1/ Always turn off the power and unplug the power cord before maintenance or cleaning.

2/ Do not use gasoline, toluene, cleaning powder or any other similar chemicals to wipe the appliance.

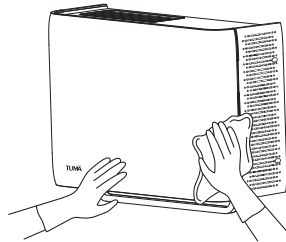
3/ Do not use any liquid or detergent over 60°C to clean the plastic parts, for fear of causing any deformation or discoloration on such plastic parts .

4/ Do not spray any water onto electrical components such as motor, for fear of malfunction or electric shock.

5/ Annual routine repair and maintenance is recommended, in order to ensure normal operations of the appliance.

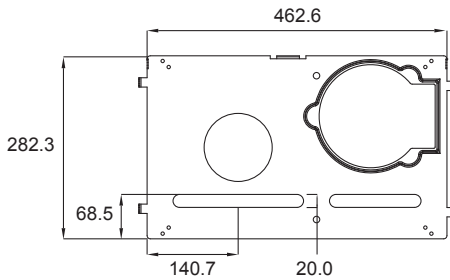
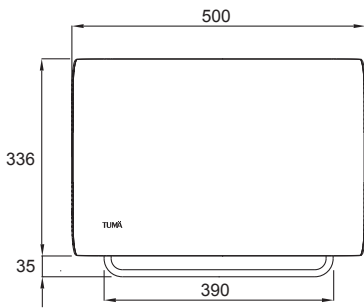


a. Use a vacuum cleaner to remove dust from the appliance.

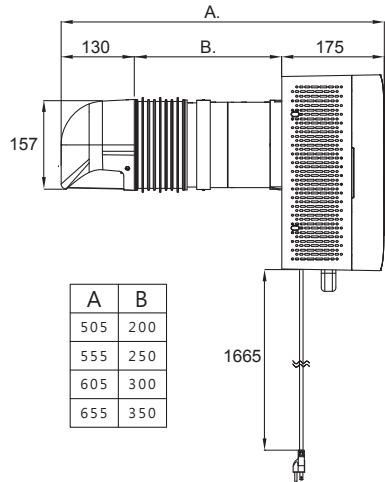


b. Use a well-wrung rag to wipe or clean the appliance.

## □ DIMENSIONS



Unit/mm



❗ The plug type will be varied by different countries.

## □ SPECIFICATIONS

Model	AHR15E/AHR15N Series		
Rated Voltage (V)	100-240 V , 50-60 Hz		
Mode	Sleep	Fresh	Purify
Air Flow(Intake) (m <sup>3</sup> /h)	85	140	200
Air Flow(Exhaust) (m <sup>3</sup> /h)	40	70	70
Power Consumption (W)	10	30	46
Noise (dB(A))	26	39	44
Heat Recovery Efficiency (%)	70 (Max)		
Weight (Kg)	9.3		

