



# Installation and Operating Instructions ECO DC Brushless Ventilation Fan / LED Light

## GENERAL SAFETY INFORMATION

1. Available in either 100V or 240V.
2. Always disconnect the power source before working on or near the ventilating fan, motor or junction box.
3. Follow all local electrical and safety codes.
4. Protect the power cord from sharp edges, oil, grease, hot surfaces, chemicals or other objects.
5. Provide suction parts with proper ventilation.
6. These ventilating fans are intended for residential usage only.
7. The fan is to be installed so that the blades are more than 2.5m above the floor.
8. Do not install the unit where ducts are configured as shown in Fig. A.
9. (for EU region) This appliance can be used by children aged from 8 years and above and persons with reduced physical, sensory or mental capabilities or lack of experience and knowledge if they have been given supervision or instruction concerning use of the appliance in a safe way and understand the hazards involved.
10. (for EU region) Children shall not play with the appliance.
11. (for EU region) Cleaning and user maintenance shall not be made by children without supervision.
12. (for other than EU region) The appliance is not to be used by persons (including children) with reduced physical, sensory or mental capabilities, or lack of experience and knowledge, unless they have been given supervision or instruction.
13. (for other than EU region) Children being supervised not to play with the appliance.

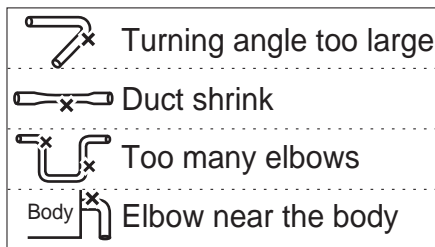


Fig. A

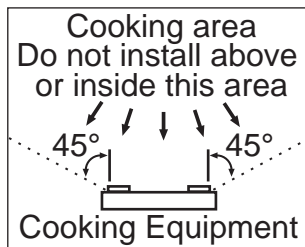


Fig. B

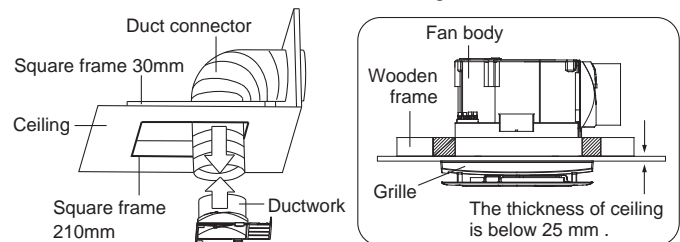
## CAUTION

1. For general ventilating use only. Do not use to exhaust hazardous or explosive materials and vapors.
2. Not for use in cooking areas. (Fig. B)
3. Do not dispose of electrical appliances as unsorted municipal waste, use separate collection facilities.
4. Contact your local government for information regarding the collection systems available.
5. If electrical appliances are disposed of in landfills or dumps, hazardous substances can leak into the groundwater and get into the food chain, damaging your health and well-being.
6. When replacing old appliances with new ones, the retailer is legally obligated to take back your old appliance for disposal at least for free of charge.
7. The rear side of the ventilation is IPX0 construction only. It is non-water proof construction.
8. The wall or ceiling area around the ventilation shall not have any openings where water can access the rear side of the ventilation after the completed installation.

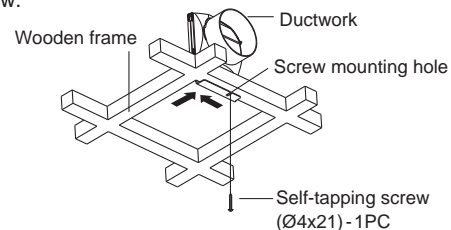


## 1. INSTALLATIONS

1-1. Pull existing ductwork into duct connector tape all ductwork connections to make them secure and airtight.



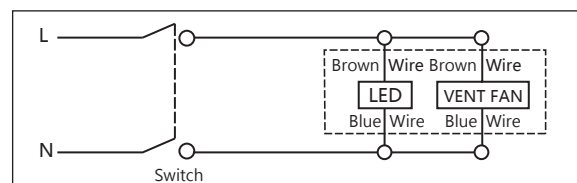
1-2. Insert tab slot in wooden frame and secure using self-tapping screw.



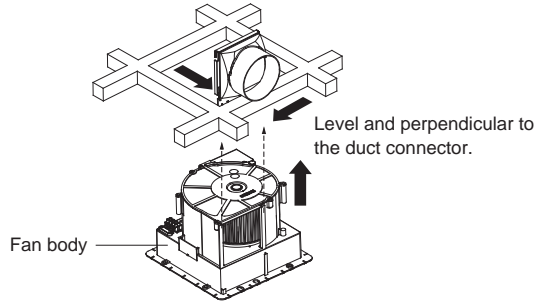
1-3. Connect wiring.

The installation must be provided with a double pole isolator switch having a contact separation of not less than 3 mm.

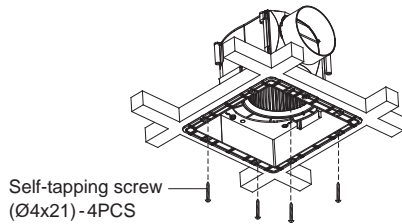
The connect wiring must be installed by parallel circuit to make sure LED and Ventilation Fan run synchronously.



1-4. Insert the body in duct connector and make sure fan body is level and perpendicular to the duct connector.

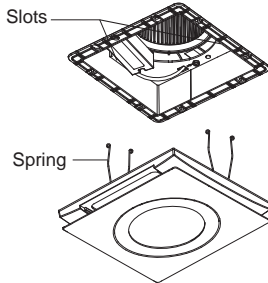


1-5. Using 4 self-tapping screws (Ø4x21).



1-6. Follow steps 1 to 5 of the installation to complete the installation work.

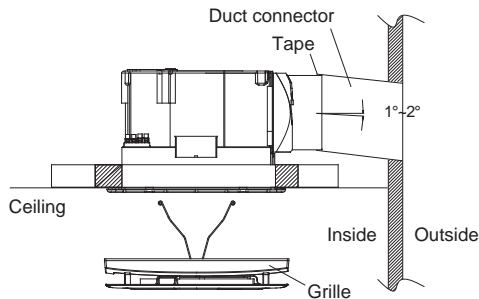
1-7. Grille attachment.



## 2. DUCT CONNECTION

2-1. Insert the duct into the duct connector and tape all ductwork connections to make them secure and airtight.

2-2. Install the duct with a gradient 1°~2° to the outside.

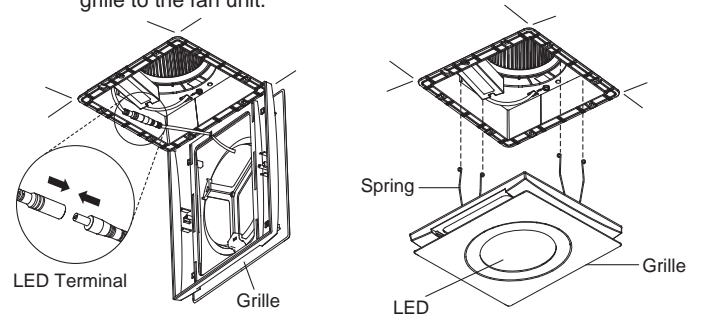


Instructions Download  
[tuma.sunon.com](http://tuma.sunon.com)

## 3. TEST RUN & GRILLE ATTACHMENT

3-1. When the power on, check for abnormal vibration or sound.

3-2. Insert the mounting springs into the slots and mount the grille to the fan unit.



## 4. MAINTENANCE

WARNING:

Disconnect power source before working on unit.  
Routine maintenance must be done every year.

CAUTION:

- 4-1. Never use gasoline, benzene, thinner or any other such chemicals for cleaning the ventilating fan.
- 4-2. Do not allow water to enter motor.

## CLEANING

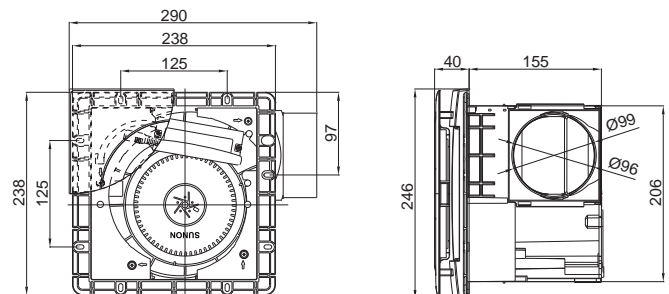
1. Pull down the spring to remove grille.
2. Clean grille. (Use non-abrasive kitchen detergent, wipe dry with new cloth.)
3. Use a cloth dampened with non-abrasive kitchen detergent, remove dust and dirt from ventilating fan. Wipe dry with new cloth.
4. Replace grille.

## SPECIFICATIONS

Model No.	BVN21A003W (White 6000K,850lm) BVN21A003Y (Warm White 3000K,850lm)
Voltage (V)	100-240
Frequency (Hz)	50-60
Power (W)	17.5 ( Fan 4.5W , LED Input 13W / LED Output 12W )
Air Flow (m³/h)	120
Weight (KG)	2.0

Note : Design and specifications subject to change without notice.

## DIMENSIONS



Unit : mm Accessory : Self-tapping screw(Ø4x21) -5PCS